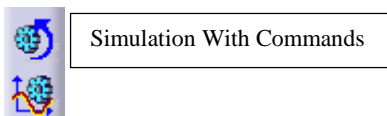
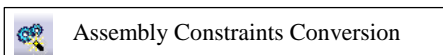
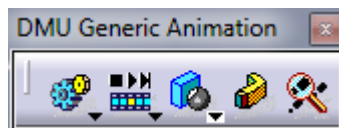


Start → Digital Mockup → DMU Kinematic



Simulation

Compile Simulation

Replay



Clash Detection (off)

Clash Detection (on)

Clash Detection

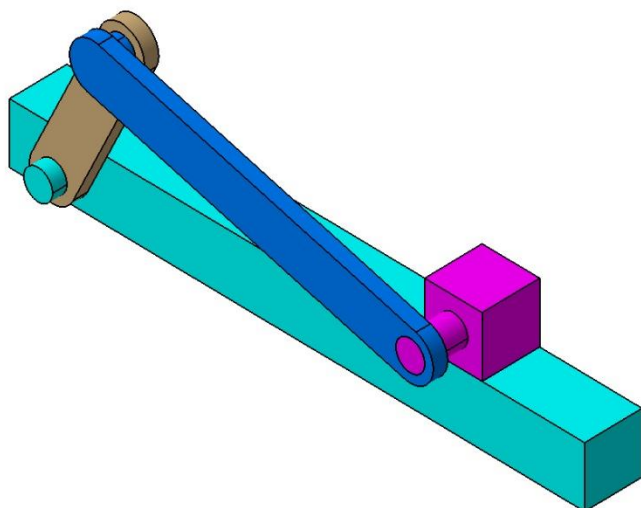


Simulation Player

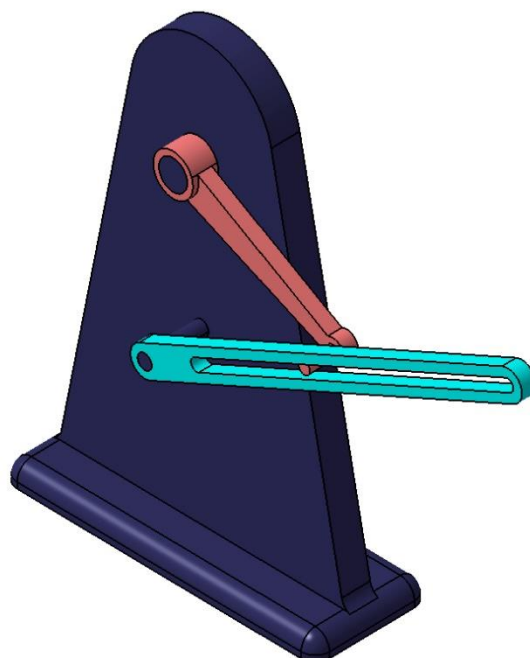


Swept Volume

Mechanism 1



Mechanism 2



Teacher: Ehsan Fathi, PHD Student in Mechanical Engineering at University of Birjand

Email: Ehsanfathi_eh@yahoo.com

Telegram: @FathiTrainingGroup

Website: FathiTrainingGroup.com

Tel: 09386249330