



Simulation With laws



Fixed Part

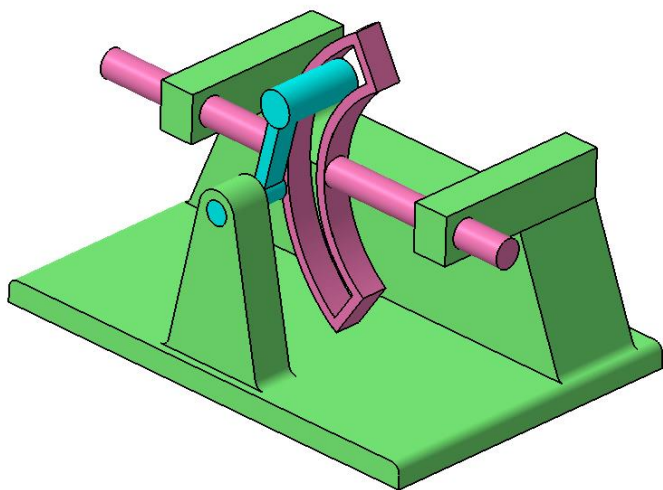


Speed and Acceleration



Formula

Mechanism 1



Mechanism 2

