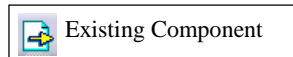
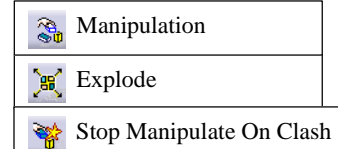
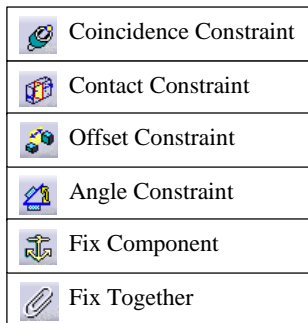


Start → Mechanical Design → Assembly Design

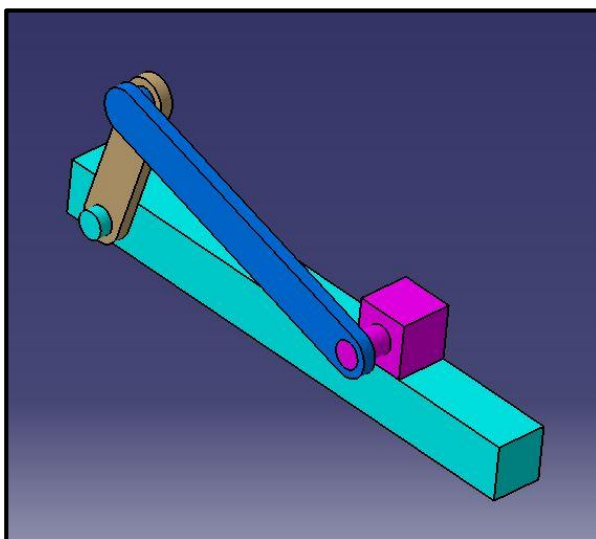


Fast Multi Instantiation

Define Multi Instantiation



Practice 1



Practice 2

