

Teacher: Ehsan Fathi, PhD in Mechanical Engineering

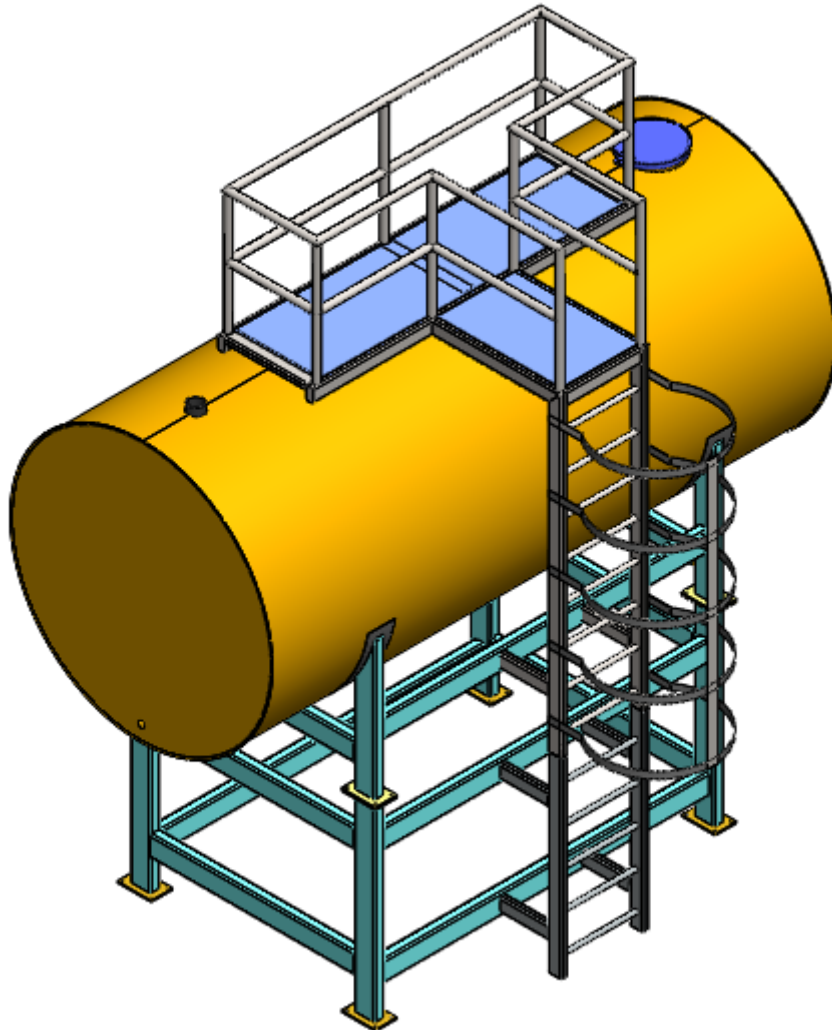
Telegram: @FathiTrainingGroup

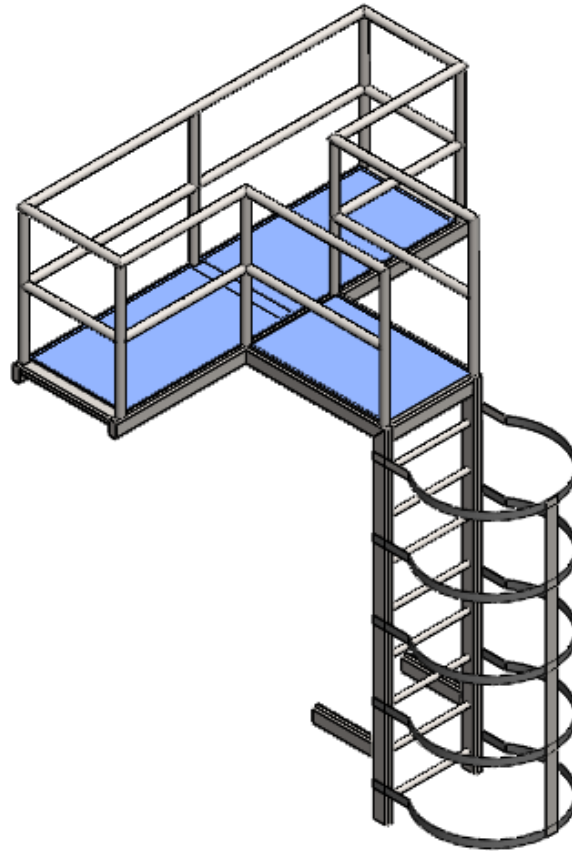
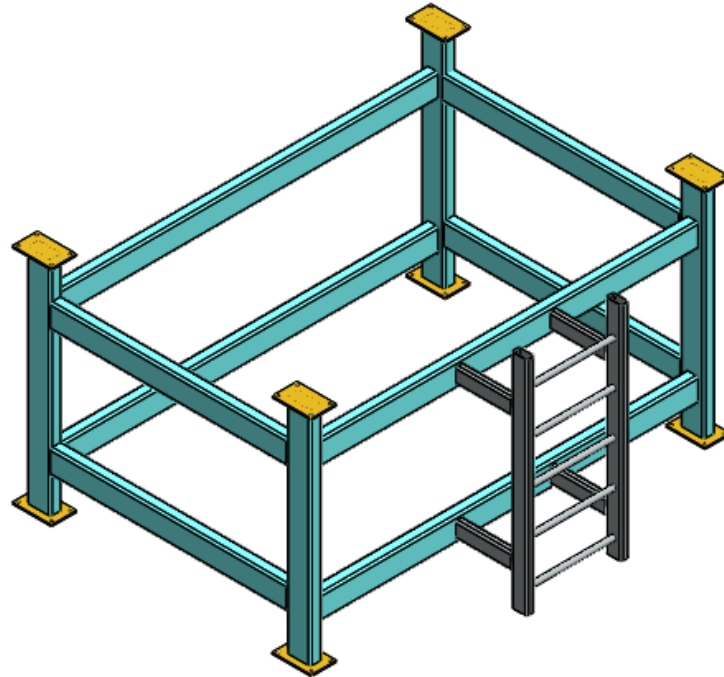
Email: Ehsanfathi_ah@yahoo.com

Website: FathiTrainingGroup.com

Tel: 09386249330 - 05136210687

تمرین ۱





Teacher: Ehsan Fathi, PhD in Mechanical Engineering

Telegram: @FathiTrainingGroup

Email: Ehsanfathi_eh@yahoo.com

Website: FathiTrainingGroup.com

Tel: 09386249330 - 05136210687

