

Teacher: Ehsan Fathi, PHD Student in Mechanical Engineering at University of Birjand

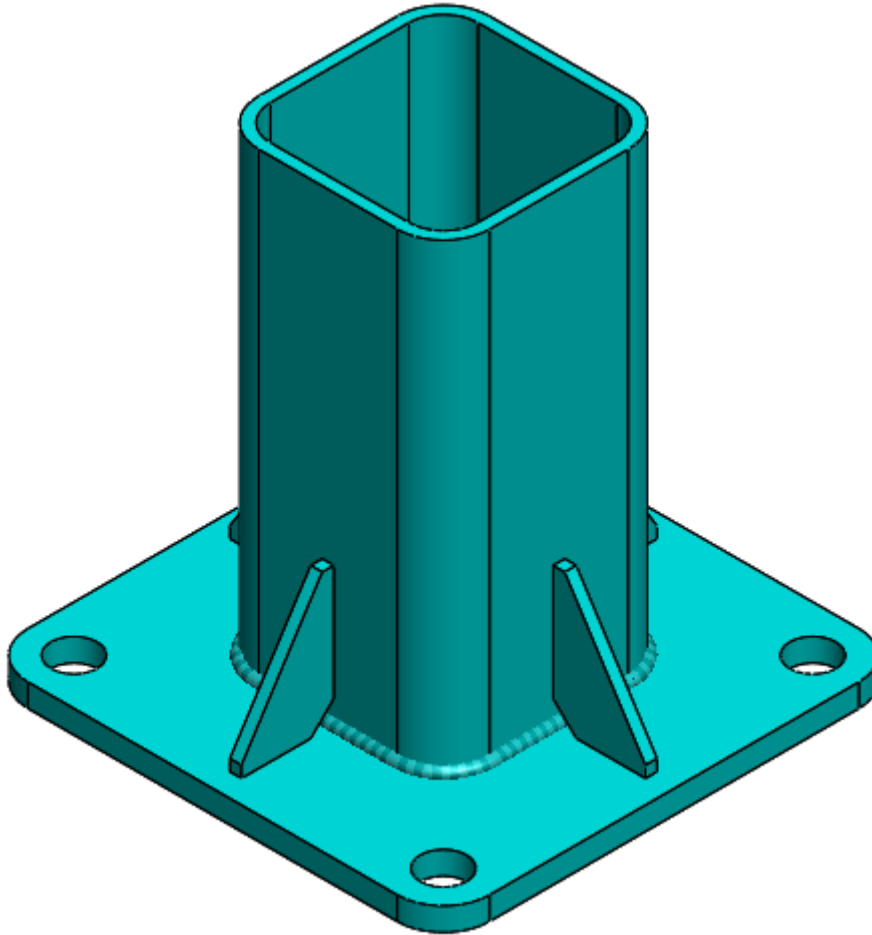
Telegram: @FathiTrainingGroup

Email: Ehsanfathi_eh@yahoo.com

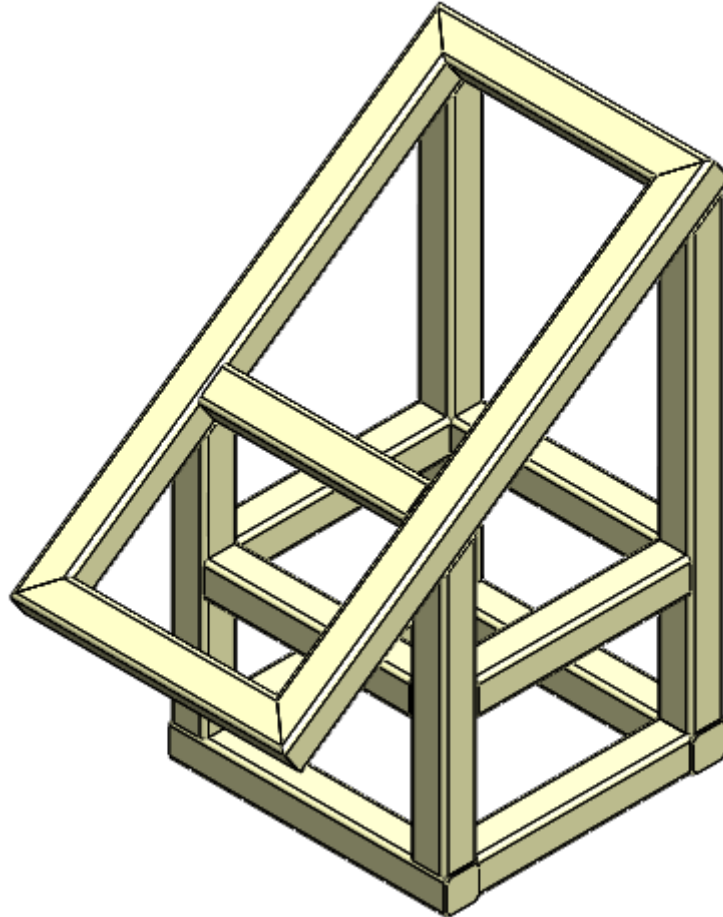
Website: FathiTrainingGroup.com

Tel: 09386249330

تمرین ۱



تمرین ۲



تمرین ۳

