

تمرین - ۱

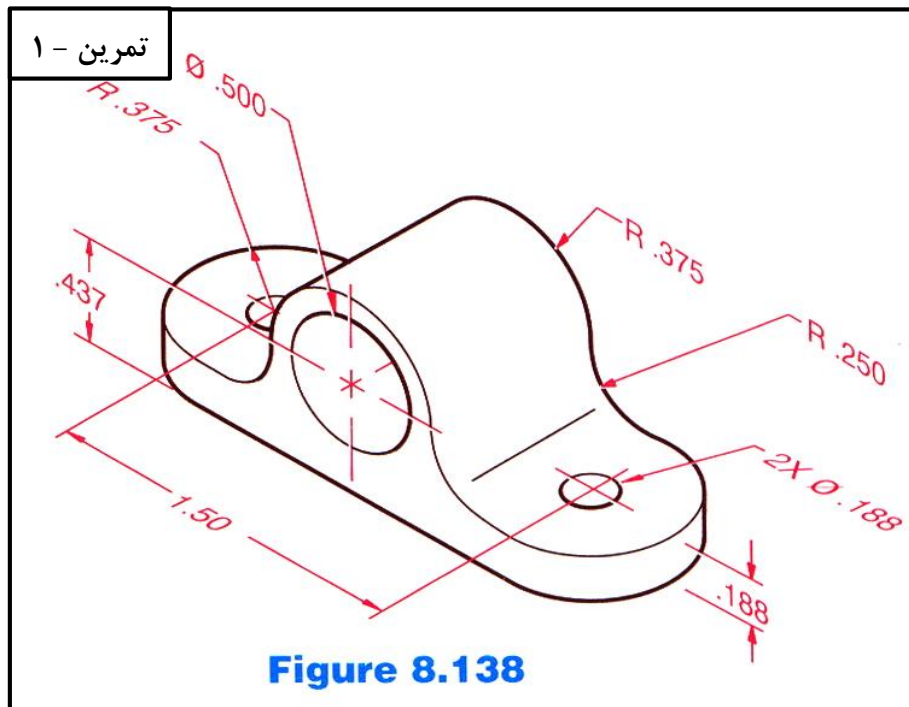
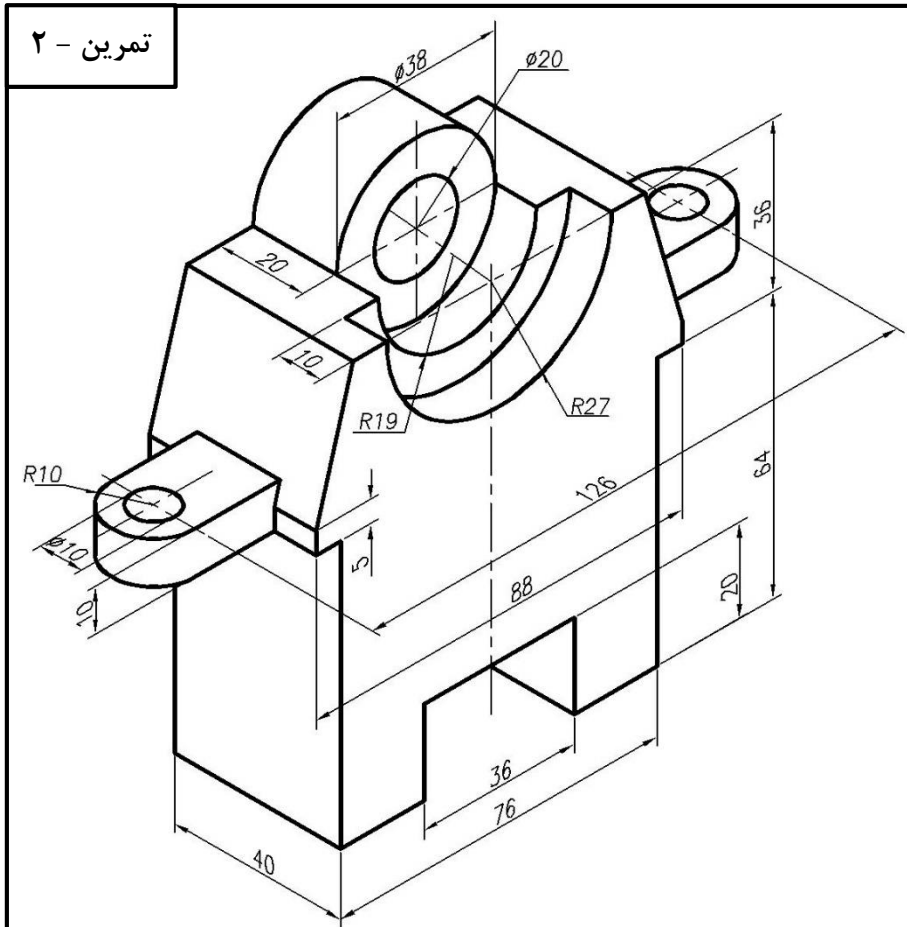


Figure 8.138

تمرین ۲ -



تمرین ۳ -

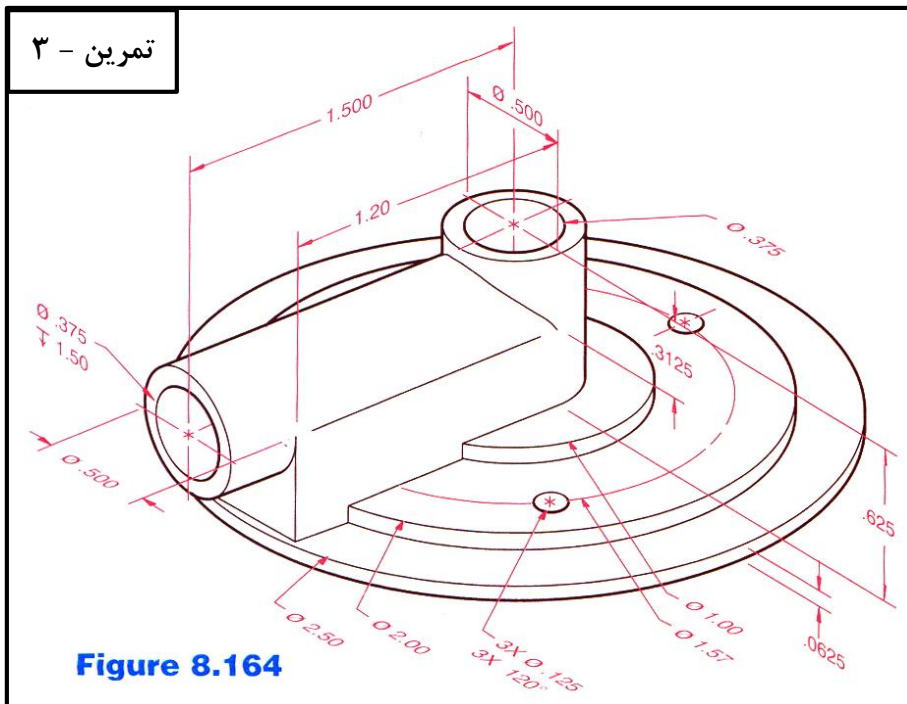


Figure 8.164

Teacher: Ehsan Fathi, PHD Student in Mechanical Engineering at University of Birjand

Telegram: @FathiTrainingGroup

Email: Ehsanfathi_eh@yahoo.com

Website: FathiTrainingGroup.ir

Tel: 09386249330

تمرین - ۴

Figure 8.166

